





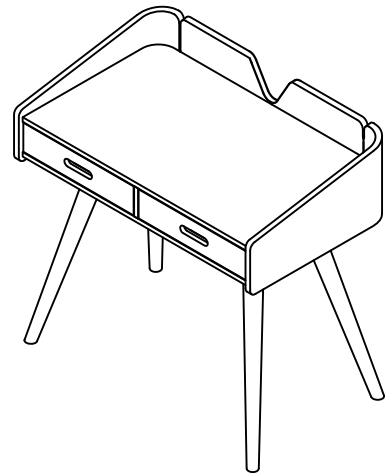


ASSEMBLY INSTRUCTION

PC 609

HELP LINE NUMBER 01443 816982

A		M4	1PC
B		Ø1/4"*30mmL	12PCS
C		Ø12*1/4"*1.5T	12PCS
D		Ø16*1/4"*1.5T	12PCS
E		Top	1PC
F		Legs	2PCS
G			
H			



STEP1

